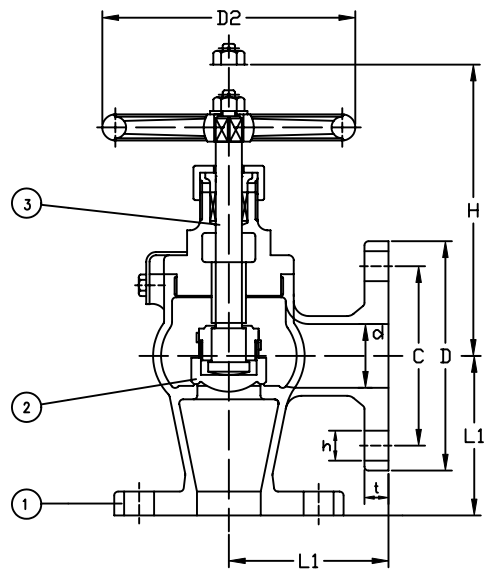
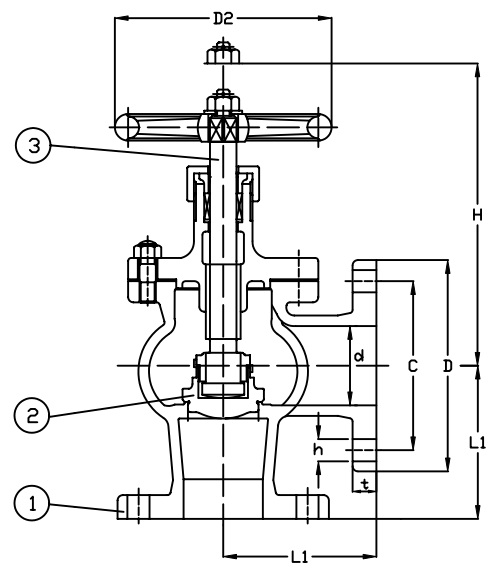


SERIES F7302 - JIS 5K **SERIES F7304 - JIS 16K**
Bronze Angle Valve

Manufactured in accordance to JIS F7400 Flanges as per JIS B2220 - 5K or 16K



Screwed Bonnet
for sizes 15A-40A



Bolted Bonnet
for sizes 50A-65A

| Part Nr. | Material | Code |
|----------|----------|---------|
| 1 - Body | Bronze | BC6 |
| 2 - Disc | Bronze | BC6 |
| 3 - Stem | Brass | C3771BD |

| Nominal Pressure | | 5K | 16K |
|------------------|------|------|------|
| Hydraulic | Body | 12kg | 38kg |
| Inspection | Seat | 8kg | 23kg |

| Type | Size | L | D | C | No. | h | t | H | D2 |
|----------------------------|------|-----|-----|-----|-----|----|----|-----|-----|
| F7302 5K | 15 | 55 | 80 | 60 | 4 | 12 | 9 | 120 | 80 |
| | 20 | 60 | 85 | 65 | 4 | 12 | 10 | 130 | 100 |
| | 25 | 65 | 95 | 75 | 4 | 12 | 10 | 145 | 125 |
| | 32 | 80 | 115 | 90 | 4 | 15 | 12 | 150 | 125 |
| | 40 | 85 | 120 | 95 | 4 | 15 | 12 | 165 | 140 |
| | 50 | 100 | 130 | 105 | 4 | 15 | 14 | 200 | 140 |
| F7304 16K | 15 | 70 | 95 | 70 | 4 | 15 | 12 | 120 | 80 |
| | 20 | 75 | 100 | 75 | 4 | 15 | 14 | 130 | 100 |
| | 25 | 85 | 125 | 90 | 4 | 19 | 14 | 145 | 125 |
| | 32 | 95 | 135 | 100 | 4 | 19 | 16 | 150 | 125 |
| | 40 | 100 | 140 | 105 | 4 | 19 | 16 | 165 | 140 |